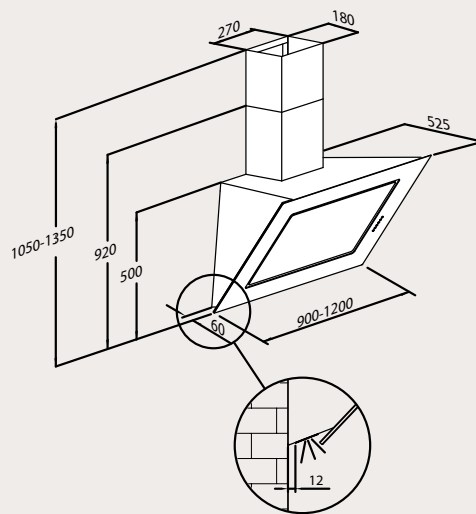


# EISINGER VETRO-LINE

## Wall-mounted hood

Type	Art. no.	Colour/material	Width mm	EURO excl. VAT
<b>EVL 904 W GL</b>	110.0052.872	Glass	900	2093.–
<b>EVL 1204 W GL</b>	110.0052.873	Glass	1200	2595.–



### Technical data

Intensive level	770 m <sup>3</sup> /60 dB
Lighting	halogen/20 W/ 3 or 4 resp.
Motor power	310 W/230 Volt
Grease filter	2 or 3 pieces
Connector	150 mm
Hood height from hob	550 mm

### Options

Recirculation optional, only with active carbon filter	
External ventilator possible	
External fan required	
Closing flap possible	
Potential-free connection	
Electronic control	
Electronic touch control	
Push-button control	
Visual grease filter saturation indicator	✓
Continuous fan function	
Overrun function	✓
Remote control, optional	
Extra quiet	
Perimetric extraction	✓

### Hood height can be reduced to

Top extraction	600 mm
✓ Side extraction	700 mm
Rear extraction	700 mm
Front extraction	700 mm
✓ Circulating air without standpipe	
✓ Special heights on request	
Hood height can be reduced to (subject to surcharge, see page 14)	

### Accessories

Art. no.	Type	EURO excl. VAT
112.0050.606	Active carbon filter	29.–
112.0175.168	Long-lasting active carbon filter	150.–