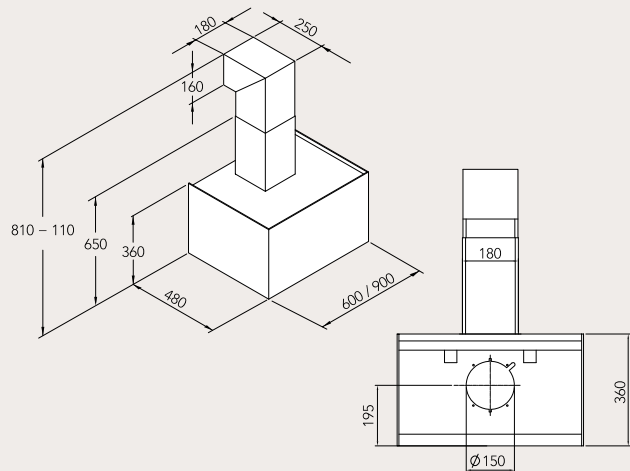


EISINGER CUBE-LINE

Wall-mounted hood

Type	Art. no.	Colour/material	Width mm	EURO excl. VAT
EUL 604 W XS	110.0086.248	Stainless steel, glass	600	2050.–
EUL 904 W XS GL	110.0168.759	Stainless steel, glass	900	2510.–



Technical data

Intensive level	800 m ³ /60 dB
Lighting	halogen/20 W/ 2 pieces
Motor power	250 W/230 Volt
Grease filter	1 pc.
Connector	150 mm
Hood height from hob	600 mm

Options

Recirculation optional, only with active carbon filter	✓
External ventilator possible	
External fan required	
Closing flap possible	✓
Potential-free connection	✓
Electronic control	✓
Electronic touch control	
Push-button control	
Visual grease filter saturation indicator	
Continuous fan function	
Overrun function	
Remote control, optional	
Extra quiet	
Perimetric extraction	✓

Hood height can be reduced to

Circulating air without standpipe

Accessories

Art. no.	Type	EURO excl. VAT
112.0050.607	Active carbon filter	29.–
112.0175.167	Long-lasting active carbon filter	150.–