

EISINGER PROFI-LINE

Tabletop hood

Type	Art. no.	Colour/material	Width mm	EURO excl. VAT
Inox 90	110.0156.155	Stainless steel	900	5565.–
Inox 120	110.0156.160	Stainless steel	1200	6130.–



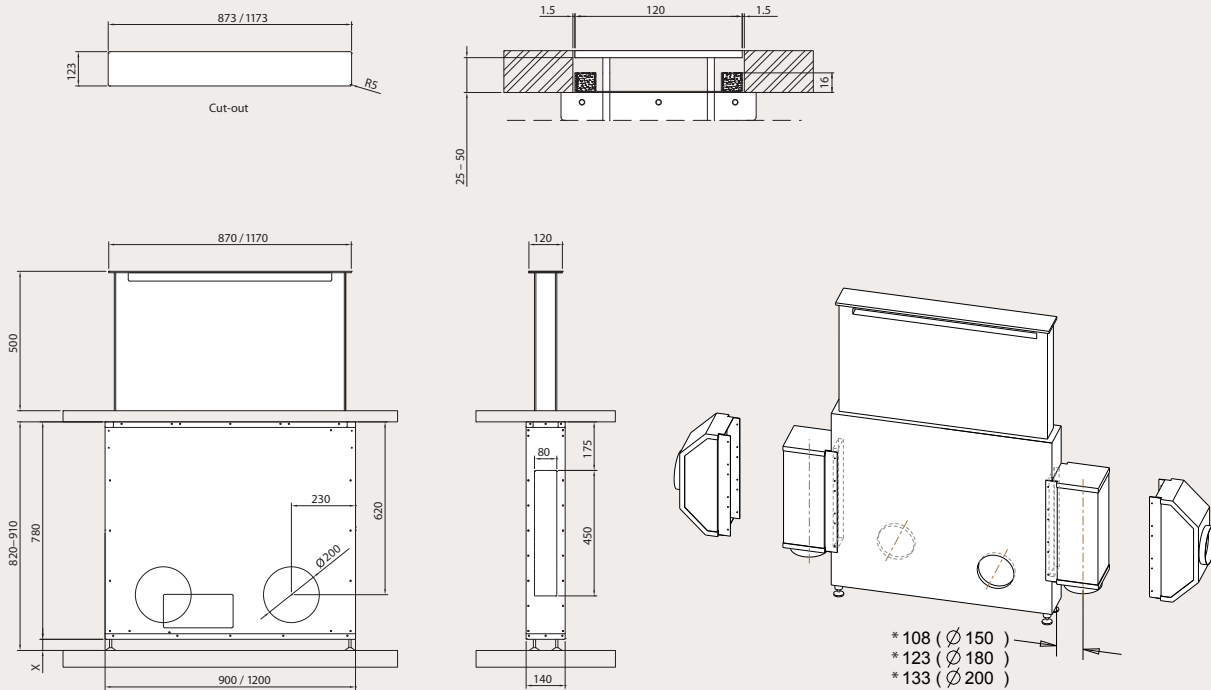
Technical data		Options	Scope of delivery
Grease filter	2 pieces	Recirculation optional,	Table-top hood, stainless steel or Vetro
Connector	Ø 150/180/200	only with active carbon filter	Fan of your choice (as of p. 44)
		External ventilator possible	✓ Control box
		Closing flap possible	✓ Touch control operating panel (glass, black)
		Potential-free connection	✓ Connector 150/180/200 mm
		Electronic control	✓ Side connection Ø 150 mm
		Electronic touch control	1 set of active carbon filters
		Push-button control	
		Visual grease filter saturation indicator	The scope of delivery for the stainless steel
		Continuous fan function	version does not include a cover
		Overrun function	✓
		Remote control, optional	
		Extra quiet	✓
		Perimetric extraction	✓

Planning notes for table-top hoods

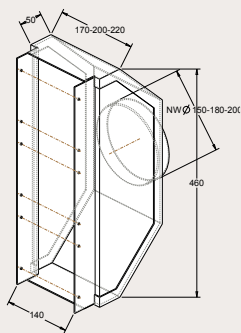
- The cut-out for the kitchen worktop is 873 / 1173 / 1473 x 123 mm.
- Table-top hoods are less efficient at extracting steam from pots and pans at the front of the hob than conventional extractor hoods. We therefore recommend combining the table-top hood with panoramic glass ceramic hobs.
- The distance between hob and table-top hood must not exceed 50 mm.
- The table-top hood has four adjustable legs for adjusting the height (820 – 910 mm).
- The table-top hood and the control box must remain accessible. We recommend planning a detachable wall inside the kitchen unit in front of or behind the table-top hood.
- Do not connect to the mains power supply until every electrical component is connected to the control box.
- You can find further planning and installation information on our website: www.eisinger-swiss.com in the section «Technical Data».

EISINGER PROFI-LINE

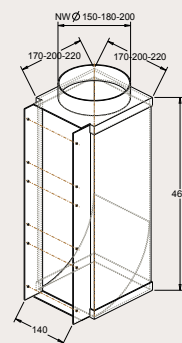
Tabletop hood



Transition piece



Deflector



Accessories

Art. no.	Type	Size mm	Description	EURO excl. VAT
112.0083.740	Transition piece	Ø 200mm	Transition piece 200 for table-top hood 140.-	
112.0083.739	Transition piece	Ø 180mm	Transition piece 180 for table-top hood 140.-	
112.0083.736	Transition piece	Ø 150mm	Transition piece 150 for table-top hood 140.-	
112.0083.735	Deflector	Ø 200mm	Diverter 200 for table-top hood	320.-
112.0083.734	Deflector	Ø 180mm	Diverter 180 for table-top hood	320.-
112.0083.733	Deflector	Ø 150mm	Diverter 150 for table-top hood	320.-
112.0050.607	Active carbon filter			29.-
112.0175.167	Long-lasting active carbon filter			150.-