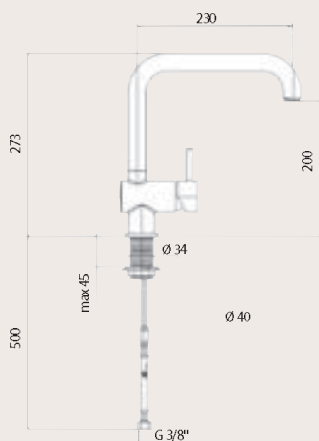


# EISINGER PERLA

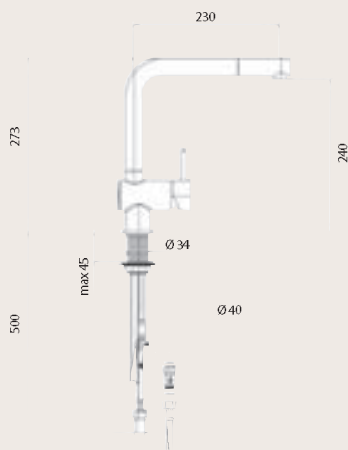
## Taps and soap dispensers



Product type	Art.no.	Colour/material	Description	EURO excl. VAI
<b>Swivel spout</b>	115.0007.868	Chrome	Swivel range 360°	308.–
	115.0007.869	Nickel matt	Lever position right, left, centered	387.–
	115.0052.794	Titanium, gold		504.–
	115.0052.802	Titanium, anthracite		504.–



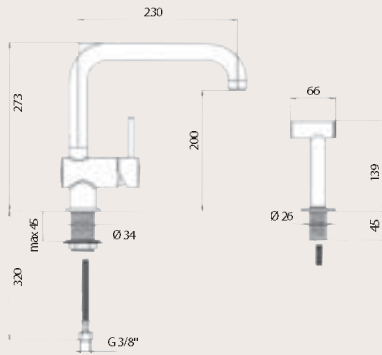
Product type	Art.no.	Colour/material	Description	EURO excl. VAI
<b>Pull-out spout</b>	115.0007.870	Chrome	Swivel range 360°	350.–
	115.0007.871	Nickel matt	Lever position right, left, centered	448.–
	115.0052.800	Titanium, gold		568.–
	115.0052.803	Titanium, anthracite		568.–



Height beneath window approx. 170 mm



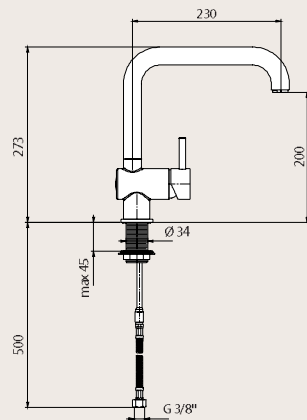
Product type	Art.no.	Colour/material	Description	EURO excl. VAI
Swivel spout	115.0017.230	Chrome	with pull-out side spray head	463.-
	115.0017.231	Nickel matt	Swivel range 360° Lever position right, left, centered	549.-



Eisinger recommends installation on worktop only.

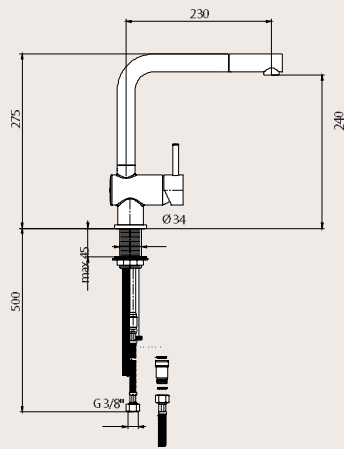


Product type	Art.no.	Colour/material	Description	EURO excl. VAI
Swivel spout	115.0030.713	Stainless steel	Swivel range 360° Lever position right, left, centered	467.-





Product type	Art.no.	Colour/material	Description	EURO excl. VAT
<b>Pull-out spout</b>	115.0030.715	Stainless steel	Swivel range 360° Lever position right, left, centered	515.-



#### Optional extensions for Perla pull-out spouts

Art.no.	Colour/material	Description	EURO excl. VAT
133.0042.776	Chrome	Projection: 270 mm	59.-
133.0042.777	Chrome	Projection: 300 mm	59.-
133.0042.778	Nickel matt	Projection: 270 mm	73.-
133.0042.779	Nickel matt	Projection: 300 mm	73.-
133.0042.745	Stainless steel	Projection: 270 mm	123.-
133.0042.749	Stainless steel	Projection: 300 mm	123.-